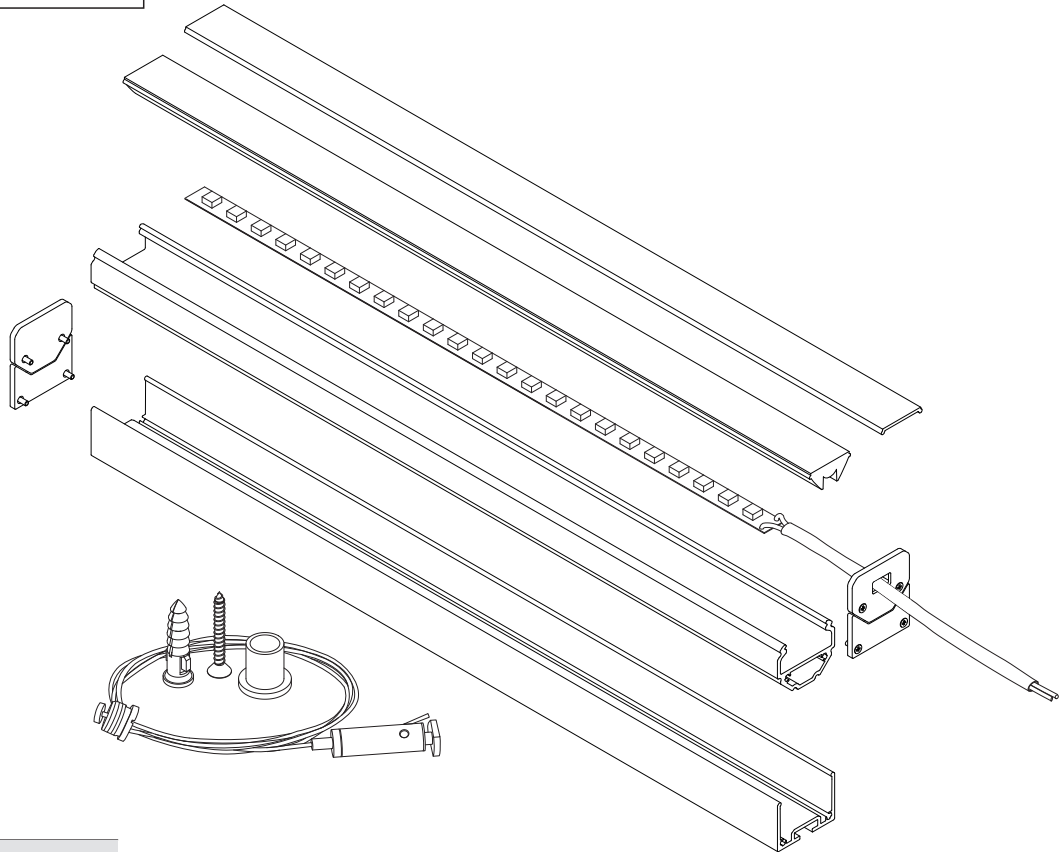
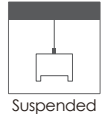
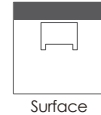
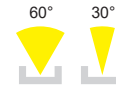


Unit:mm

Aluminium LED Profile LW-AT15-30



Installing accessories:



Aluminium Endcap Code: AT15-30-Cap
(with/without hole) Code: AT15-30-Cap-H



(Optional)

Suspension Kits
Code: Sus.KitsA



(Optional)

Joiners 180°A
Code: J-180A



(Optional)

Joiners 90°A
Code: J-90A



(Optional)

Joiners 90°B
Code: J-90B



(Optional)

Joiners 120°A
Code: J-120A

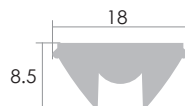


(Optional)

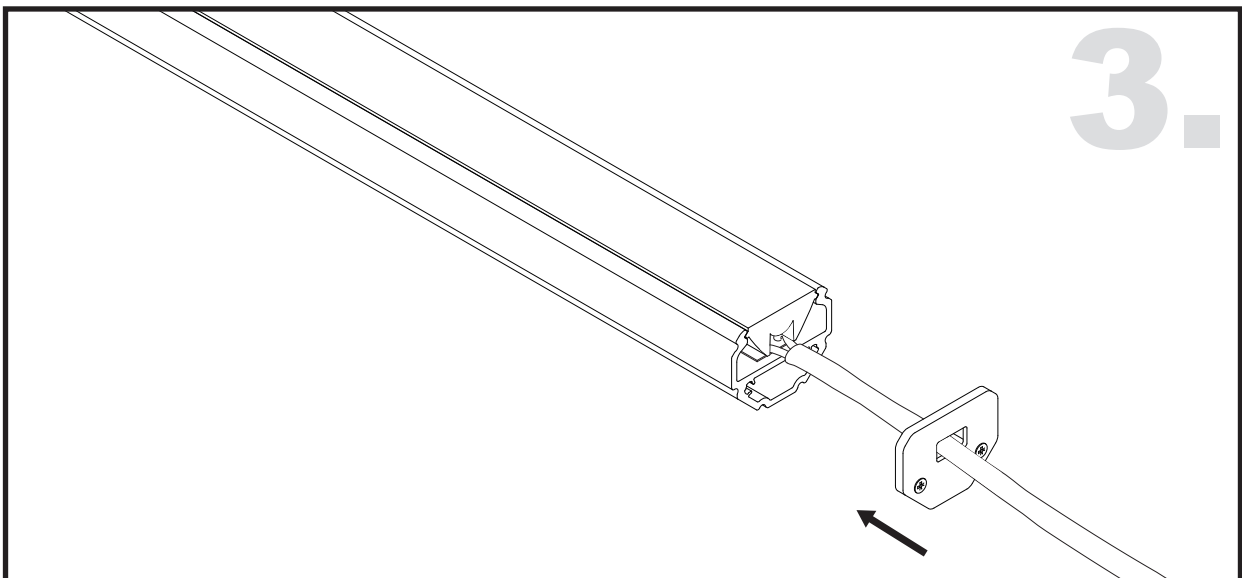
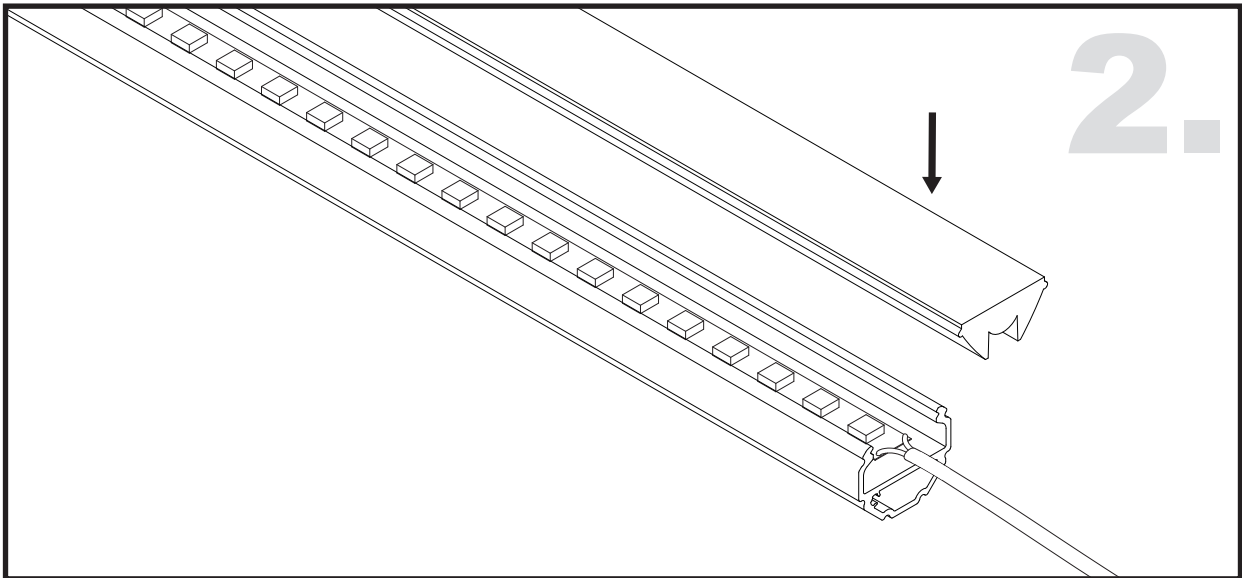
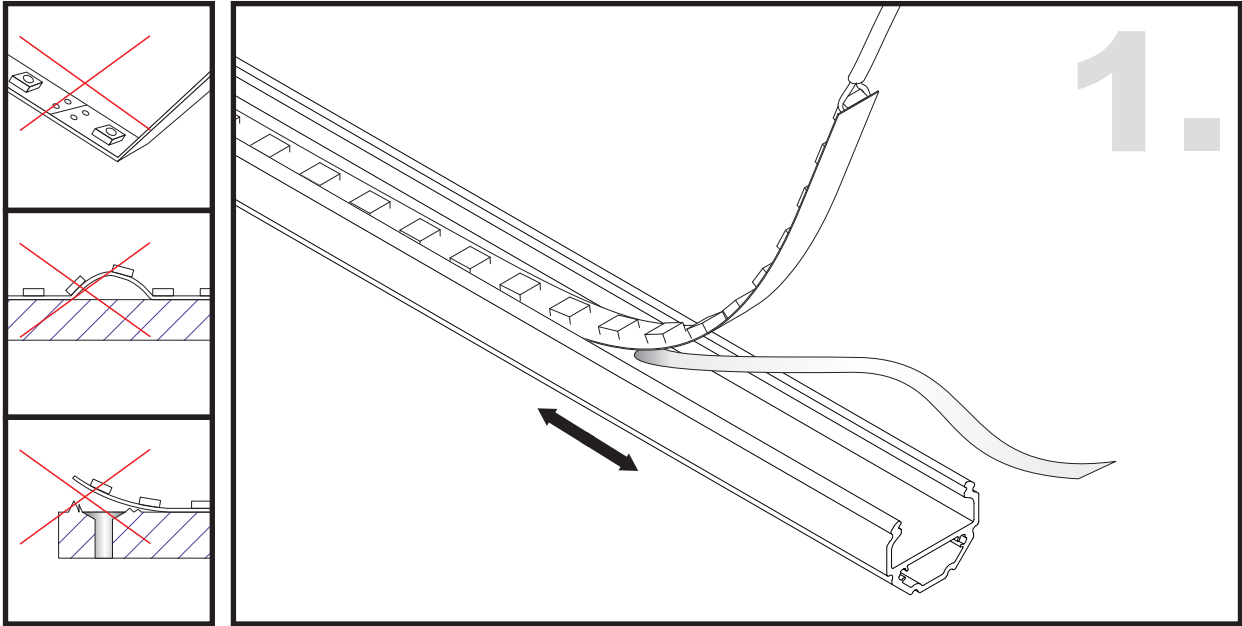
Joiners 120°B
Code: J-120B

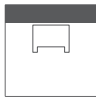
Optional Diffuser(PMMA)

Color	Light Transmittance	Code
Opal	-	-
New Opal	-	-
Frosted	-	-
Clear	95%	AT15-30-C



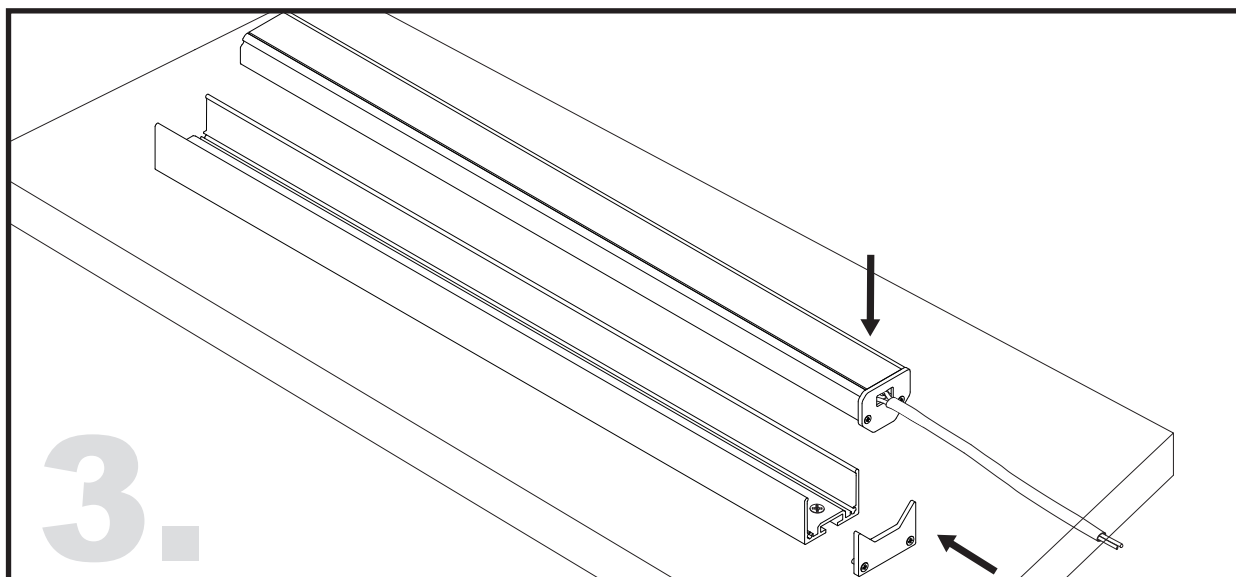
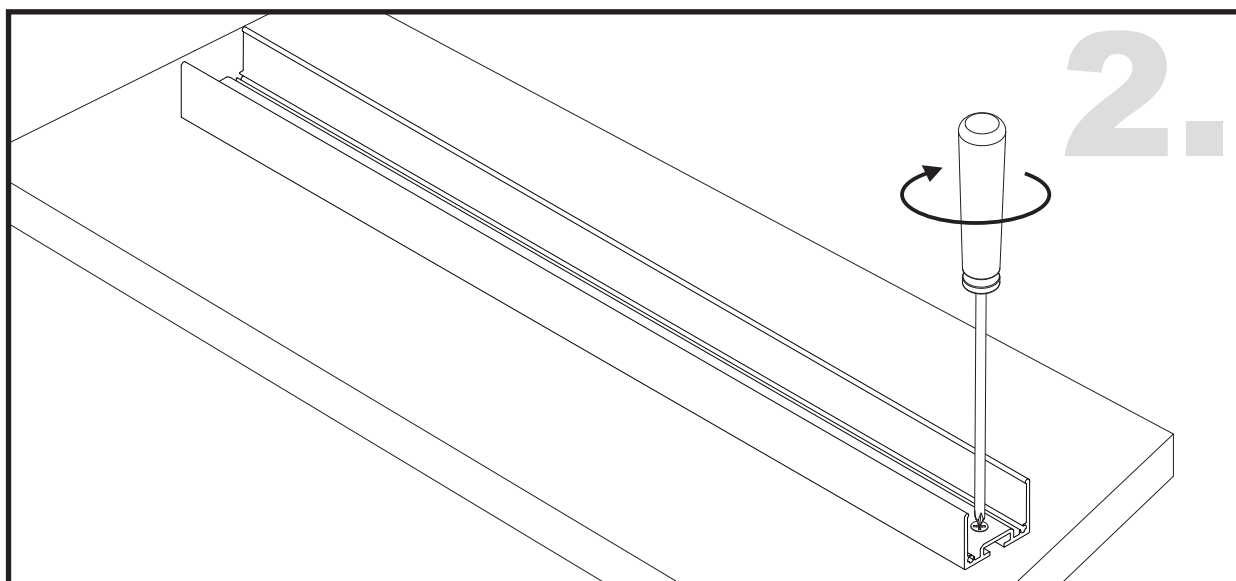
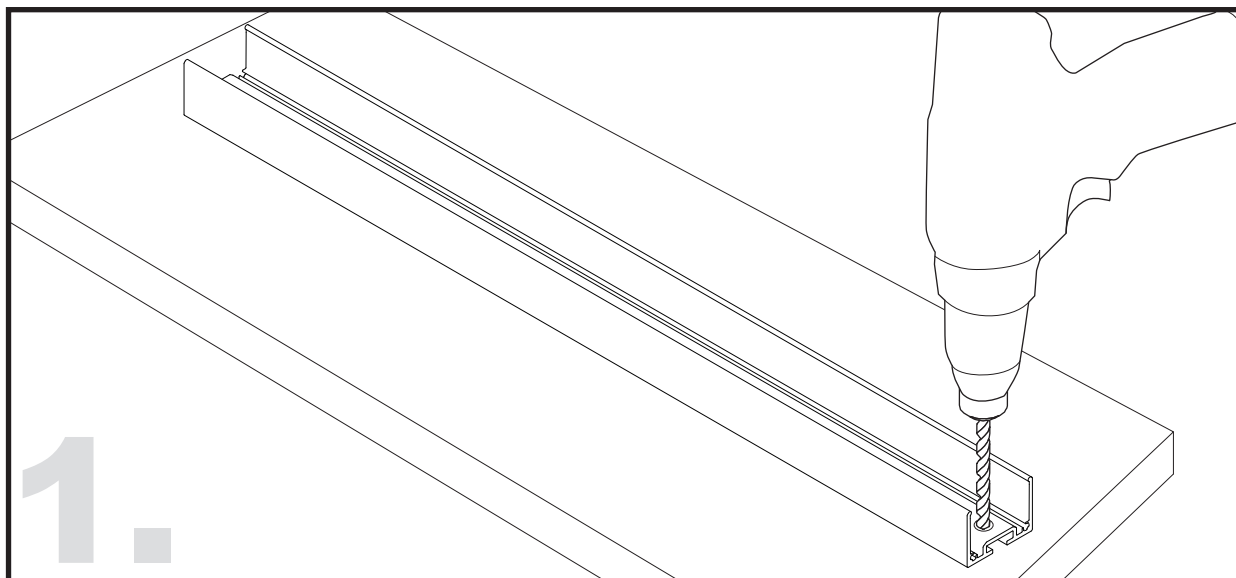
MAX. 28.8W/m

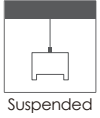




Surface

METAL CLIP INSTALLING INSTRUCTIONS





SUSPENDED INSTALLING INSTRUCTIONS

